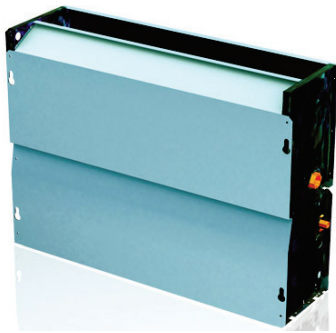


MKF4-500	500			
MKF4-600	600			
MKF4-800	800			
MKF4-900	900			
MKF5-150	150	0Pa	220~240V-1Ph-50Hz	Without
MKF5-250	250			
MKF5-300	300			
MKF5-400	400			
MKF5-450	450			
MKF5-500	500			
MKF5-600	600			
MKF5-800	800			
MKF5-900	900			

### 4. External Appearance

MKF3



MKF4

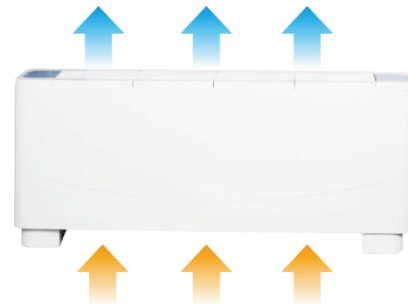


MKF5

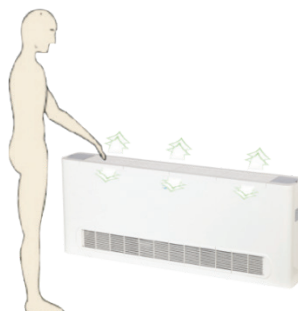


### 5. Feature

- Flexible for installation, designed for horizontal/vertical, concealed/cabinet application.
- Ultra-thin body, streamlined appearance.
- Air return form the side or below for increased choice flexibility.



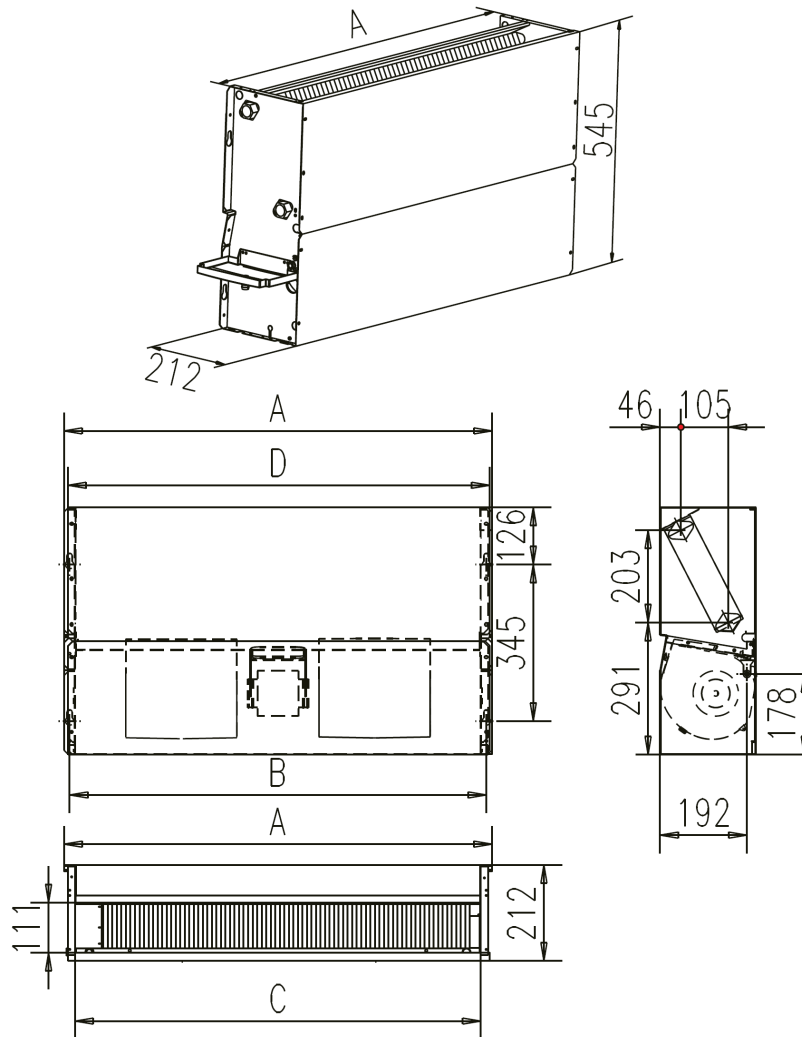
- Movable grid. It's easy to install and clean.



- Pipe connection from left or right can be selected (in factory).

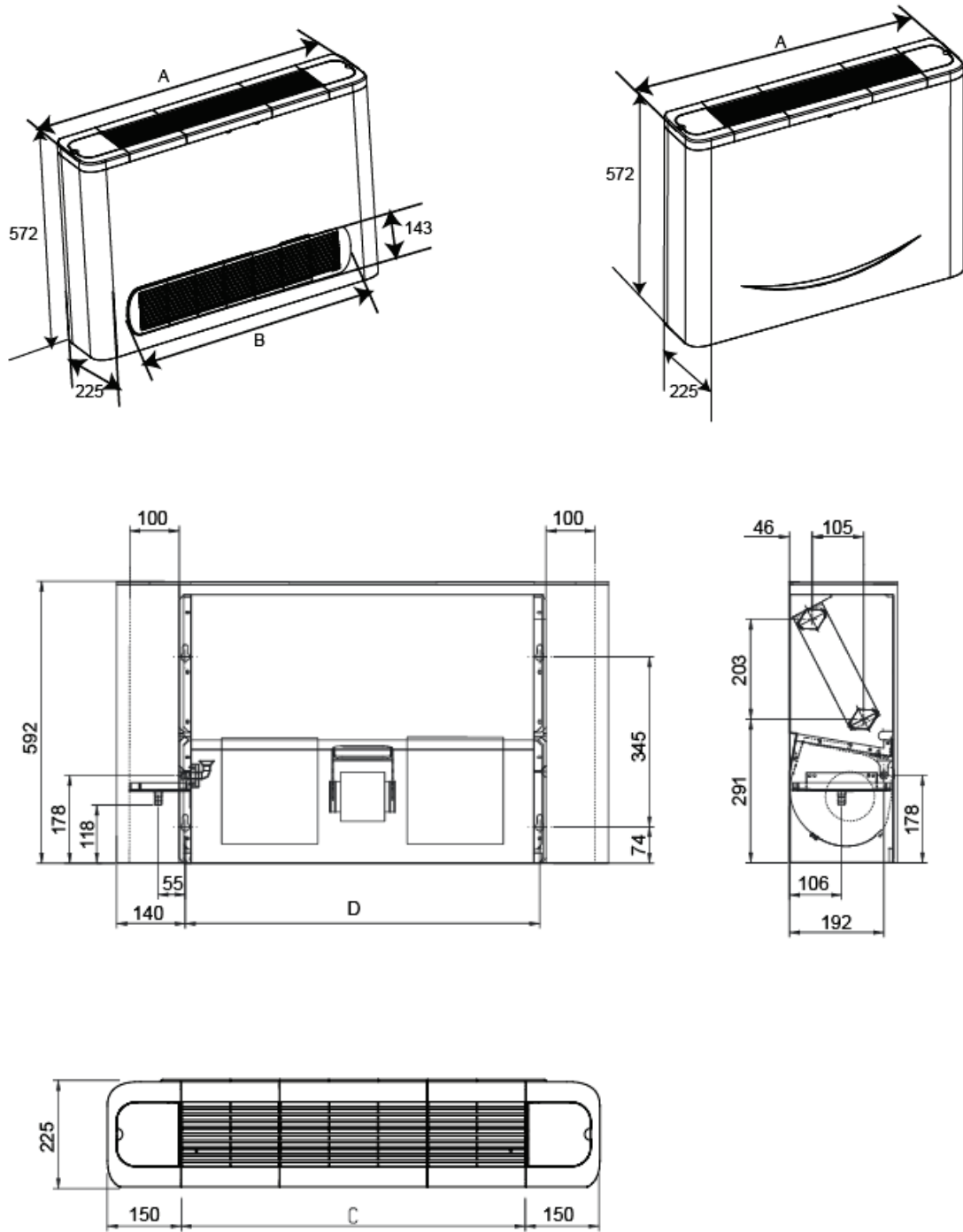
### 7. Dimension

MKF3 type



MKF3	150	250	300	400	450	500	600	800	900
A (mm)	550	550	750	750	950	950	1250	1250	1250
B (mm)	526	526	726	726	926	926	1226	1226	1226
C (mm)	500	500	700	700	900	900	1200	1200	1200
D (mm)	532	532	732	732	932	932	1232	1232	1232

**MKF4, MKF5 type:**



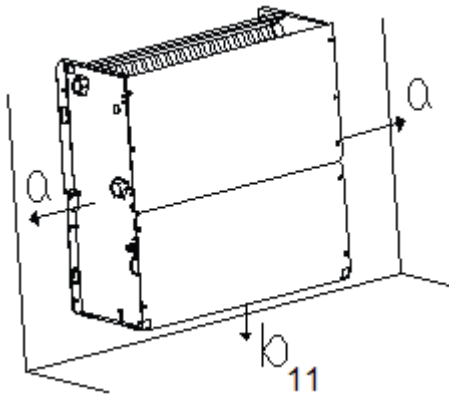
MKF4(F5)	150	250	300	400	450	500	600	800	900
A (mm)	800	800	1000	1000	1200	1200	1500	1500	1500
B (mm)	584	584	784	784	984	984	1284	1284	1284
C (mm)	500	500	700	700	900	900	1200	1200	1200
D (mm)	526	526	726	726	926	926	1226	1226	1226

## 12. Installation

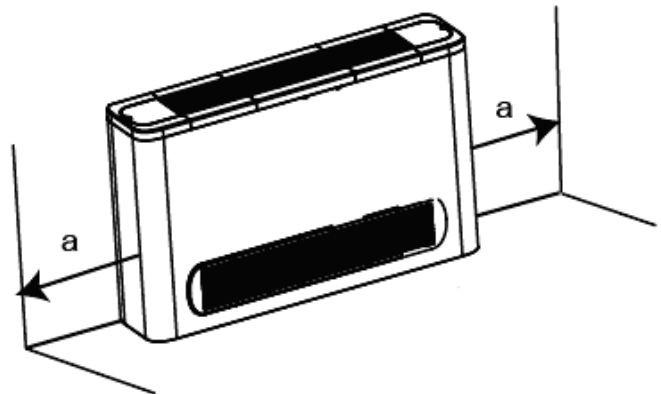
### ■ Installation space

The unit may be mounted vertically on the wall or standing on the floor, provided that the correct clearances for the positioning are maintained.

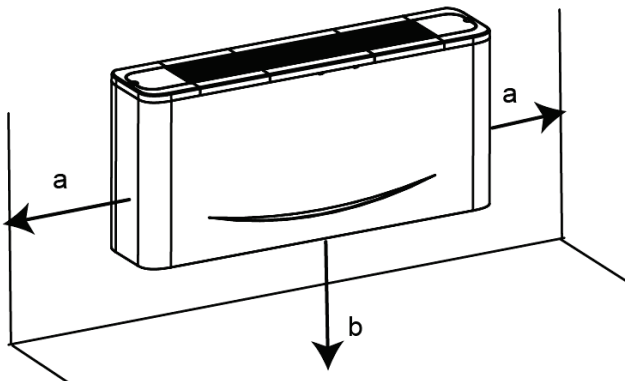
Version III



Version IV



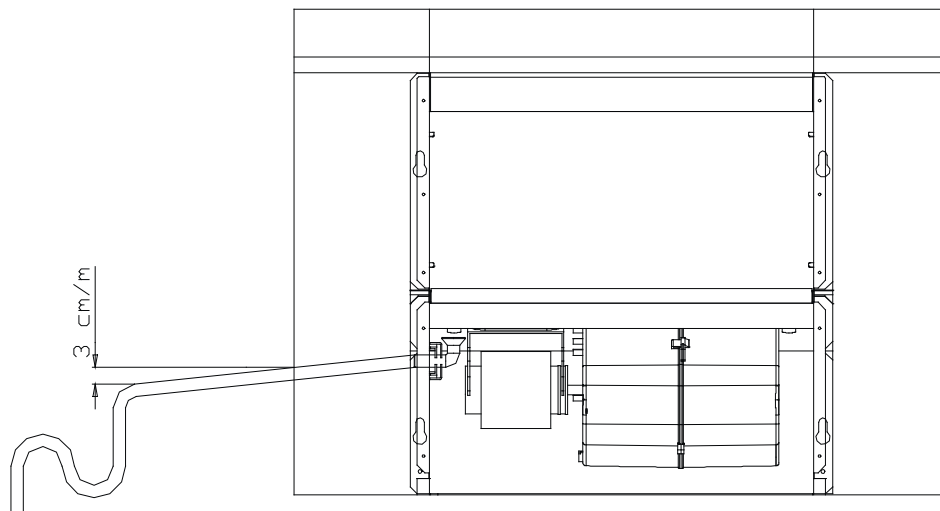
Version V



Version	III	IV	V
a (mm)	200	150	150
b (mm)	80	-	80

### ■ Condensate drainage pipe installation

The condensation drainage system must be set up with an adequate fall, to ensure that the water escapes properly. Following are directions for setting up a proper condensation drainage system.



The condensation drainage system must be fitted with a suitable trap to prevent seepage of odors. Following are directions for setting up the trap.